

IV 50-4/8

Item no. 33533

Version: 4-pol

Document type: Product card

Document date: 2012-07-20

Generated by: Systemair Online Catalogue

Description

- Compact casing for thin ceiling height
- Standard temperature 55°C
- Thrust 50N
- Variable outlet

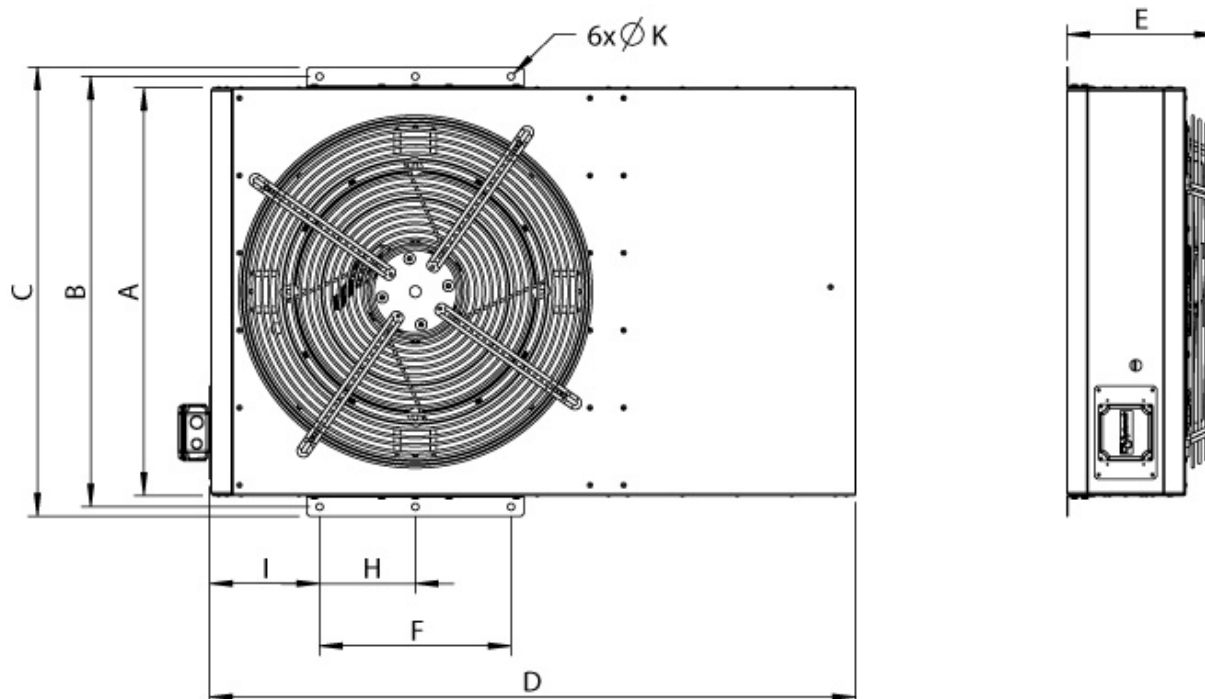
Induction Fan in compact casing with high efficiency radial fan with revision switch (optional). Using for horizontal construction. All steel parts are hot-dip galvanized, for best corrosion protection. IEC standard motors, insulation class F, enclosure class IP55. Systemair induction fans are CE labelled.



Technical parameters

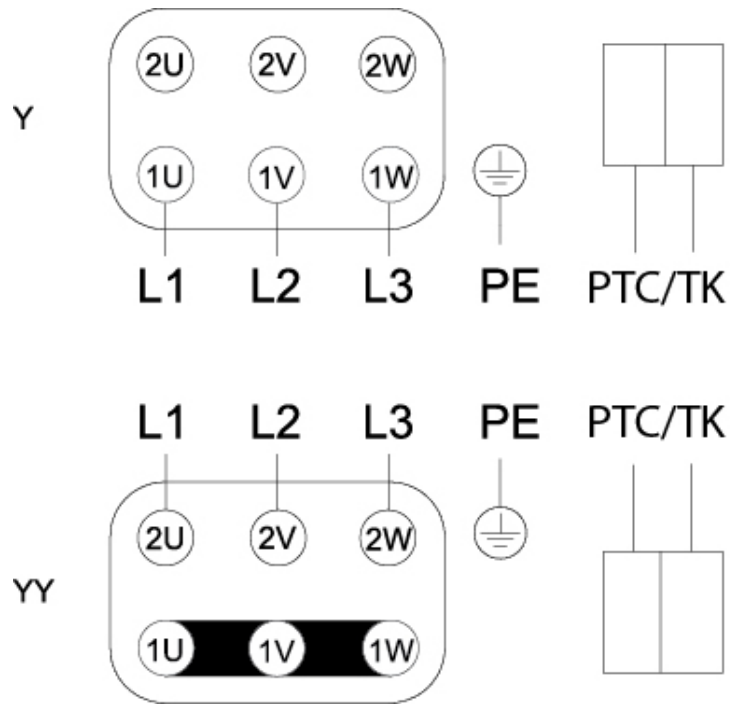
Parameter	Value	Unit
Voltage	400	V
Connection	YY	
Frequency	50	Hz
Phase	3	~
Power consumption (P1)	2044	W
Current	4.2	A
Starting current	23.1	A
Thrust	52	N
Max. airflow	6138	m ³ /h
Fan impeller speed	1455	r.p.m.
Max. temperature of transported air	55	°C
Sound pressure level at 3 m	73	dB(A)
Weight	105	kg
Insulation class, motor	F	
Enclosure class, motor	55	IP

Dimensions



BG	A	B	C	D	E	F	H	I	6σK
IV 50	790	834	870	1248	285	370	185	210	13,5
IV 85	1140	1184	1220	1900	340	420	210	230	13,5

Wiring



Accessories